



AutoFlush®

automatic screen filter



description

AutoFlush® is the ideal solution for agricultural and municipal filtration due to its large filtration area, reliable operation mechanism and simple structure. AutoFlush® works on differential pressure and cleans itself automatically without any external intervention. AutoFlush® has electronically activated models besides hydraulically controlled models. Due to suction nozzles, cleaning is achieved with little water consumption. Besides the standart 130 micron filter size, different screen sizes are available for different dirt levels.



AutoFlush® series

electric activated automatic screen filter



VE Series



HE Series

hydraulic controlled automatic screen filter



VH Series

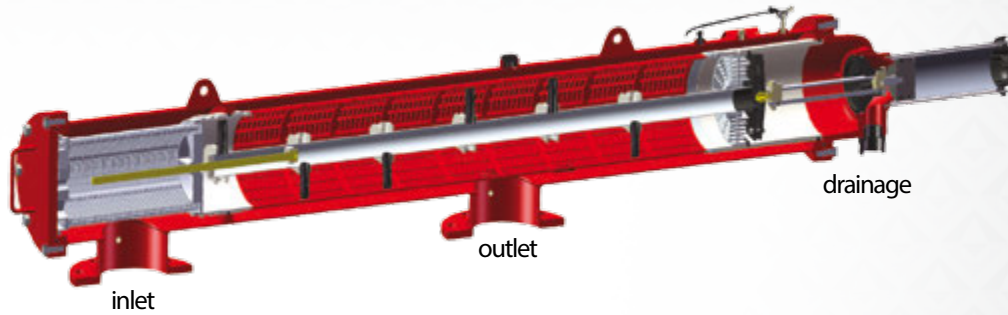


HH Series



operation principle

AutoFlush[®] series can do automatic cleaning without any need for external power supply or optionally with electrical activation from a distance. The filter screen can achieve filtration rates from 25 m³/h to 180 m³/h. Standart filter screen size is 130 microns and inlet/exit pipe diameters are available between 2" to 8".



filtration method

Filtration starts as the dirty water enters the coarse screen from the inlet. In order to protect the fine filter, large particles are filtered on the coarse filter. Water then passes through the fine filter, particals are captured by the fine filter, and clean water leaves from the outlet. Particals gradually accumulating on the fine filter, increases the pressure difference. Once the pressure difference exceeds the preset pressure differential value, filter automatically starts to clean itself.

cleaning method

Once the pressure difference exceeds the preset pressure differential value, hydraulic control unit opens the drainage valve and the cleaning cycle starts. Particals accumulated on the fine filter, are sucked by the nozzles and the turbine and discharged from the drainage pipe. Thus cleaning operation is achieved. Filtration is not interrupted and AutoFlush[®] continues filtration during the cleaning cycle.

features

- Most efficient filtration method
- Reliability: efficient filtration at various flow rates
- Low pressure loss
- Automatic self-cleaning system
- Uninterrupted filtration during self-cleaning
- Low maintenance cost

applications

- Agricultural applications
- Industrial applications
- Municipal applications
- Water management
- Cooling towers



AutoFlush®

automatic screen filter



Material List (horizontal)

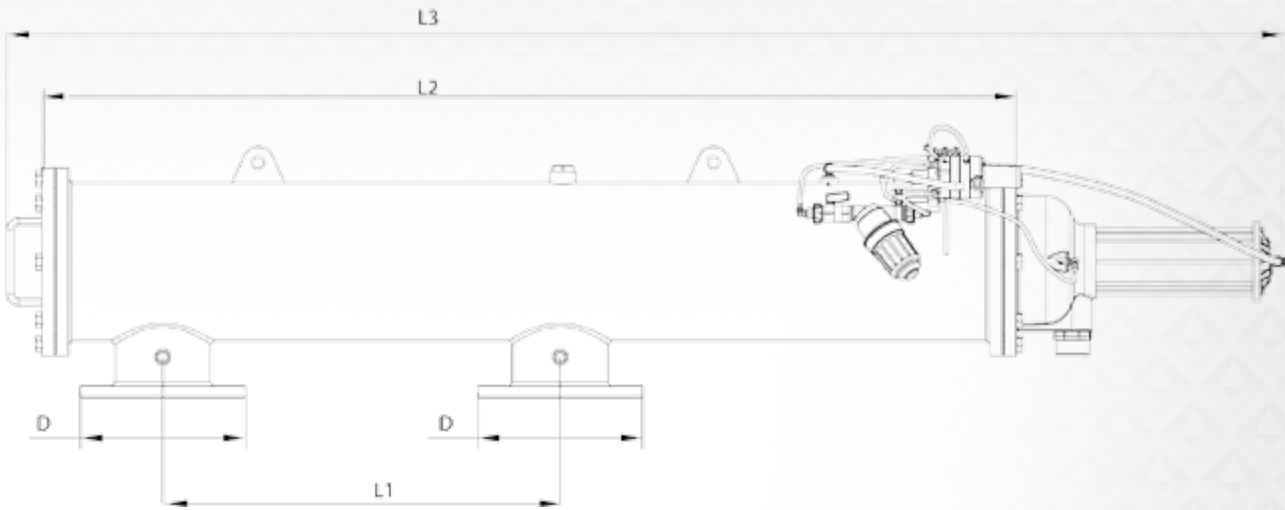
Part No	Part Name
1	Body
2	Bonnet and piston mechanism
3	Screen and filter group
4	Suction nozzle set
5	Coarse filter
6	Bonnet
7	Hydraulic control unit
8	Stainless steel nut
9	Civata



material list (vertical)

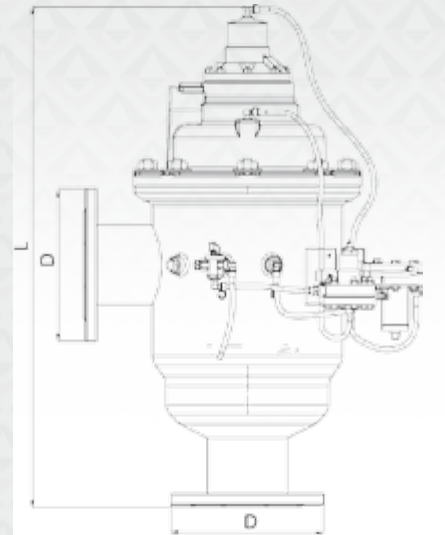
Part No	Part Name
1	Body
2	Bonnet and piston mechanism
3	Screen and filter group
4	Suction nozzle set
5	Hydraulic control unit
6	Stainless Steel Nut
7	Stainless Steel Washer





available model dimensions

Model	D	L	L1	L2	L3
	inch	mm	mm	mm	mm
VH-25	2"	630	-	-	-
VH-40	3"	623	-	-	-
VH-60	3"	727	-	-	-
VH-80	4"	720	-	-	-
HH-100	4"	-	900	1894	2400
HH-120	5"	-	900	1894	2400
HH-160	6"	-	900	1894	2400
HH-180	8"	-	900	1894	2400

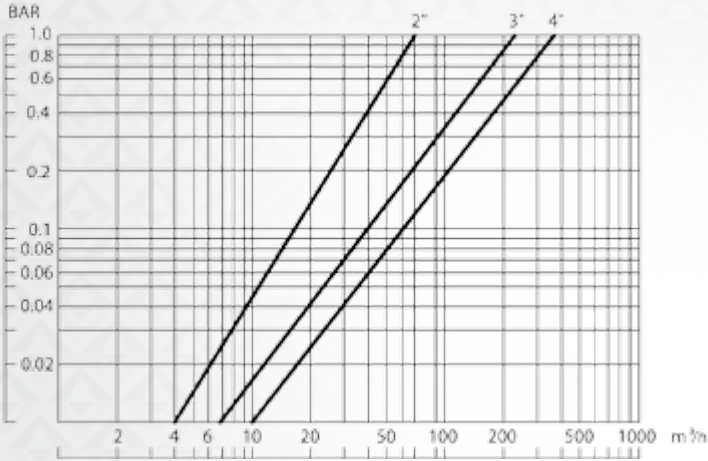


available models

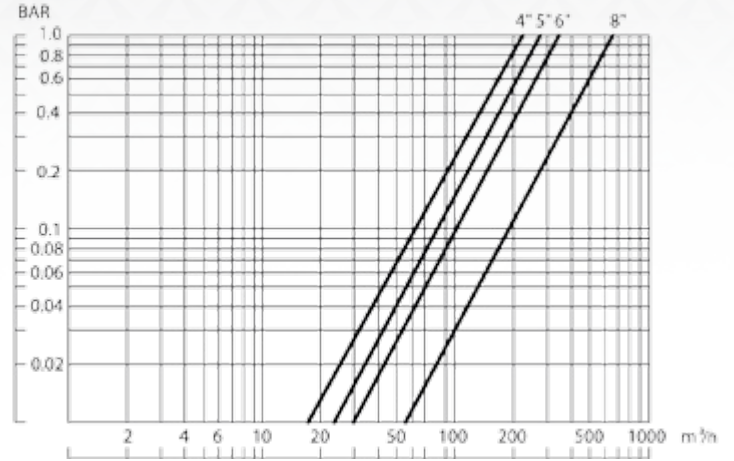
Filter Model Code	VH-25	VH-40	VH-60	VH-80	HH-100	HH-120	HH-160	HH-180
	VE-25	VE-40	VE-60	VE-80	HE-100	HE-120	HE-160	HE-180
Cleaning Criteria	25 m ³ /h	40 m ³ /h	60 m ³ /h	80 m ³ /h	100 m ³ /h	120 m ³ /h	160 m ³ /h	180 m ³ /h
Inlet/Outlet Dimension	2"	3"	3"	4"	4"	5"	6"	8"
Standard Filtration Degree	130 mikron	130 mikron	130 mikron	130 mikron	130 mikron	130 mikron	130 mikron	130 mikron
Min. Operation Pressure	2,5 bar	2,5 bar	2,5 bar	2,5 bar	2,5 bar	2,5 bar	2,5 bar	2,5 bar
Max. Operation Pressure	8 bar	8 bar	8 bar	8 bar	8 bar	8 bar	8 bar	8 bar
Max. Operation Temperature	60°C	60°C	60°C	60°C	60°C	60°C	60°C	60°C
Cleaning Cycle Time	10-16 sn	10-16 sn	10-16 sn	10-16 sn	15-22 sn	15-22 sn	15-22 sn	15-22 sn
Filtration Area	Differential Pressure (DP) 0.5 bar	Differential Pressure (DP) 0.5 bar	Differential Pressure (DP) 0.5 bar	Differential Pressure (DP) 0.5 bar	Differential Pressure (DP) 0.5 bar	Differential Pressure (DP) 0.5 bar	Differential Pressure (DP) 0.5 bar	Differential Pressure (DP) 0.5 bar
Filtration Area	500 mm ²	500 mm ²	1000 mm ²	1000 mm ²	4500 mm ²	4500 mm ²	4500 mm ²	4500 mm ²



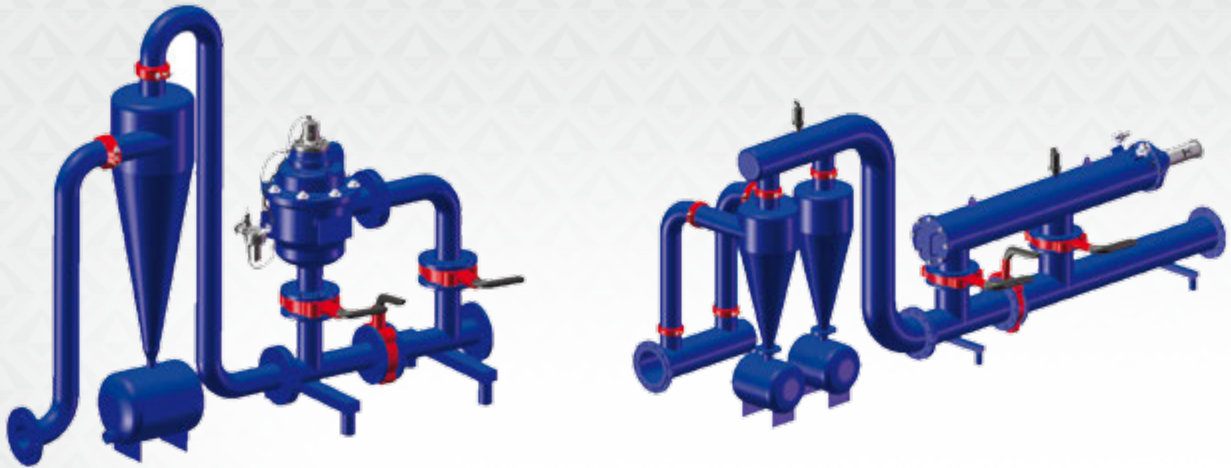
head loss chart (vertical)



head loss chart (horizontal)



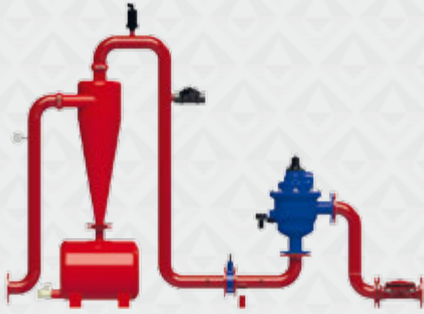
sample application



Model	Connection Size	Connection Type	Control Unit	Screen Degree
VH-80	4"	Flanged (F)	Hydraulic	130 micron
HE-120	6"	Flanged (F)	Electric	130 micron



hydraulic controlled AutoFlush(vertical)+hydrocyclone+PS+collector



Code	Connection Size (inch)	Hydrocyclone Quantity	Filtration Area (cm ²)	Capacity (m ³ /h)
VH-C-PS-2H-0225	2"	1x2"	(cm2)	25
VH-C-PS-3H-0340	3"	1x3"	500	40
VH-C-PS-3H-0350	3"	1x3"	1000	50
VH-C-PS-4H-0475	4"	1x3"	1000	75

- Grooved End Clamps, Hydrocyclone, Air Valves, Pressure Gauges, Ball Valves, Connection Equipments, Quick Pressure Relief Valve (QR) and Pressure Sustaining Valve (PS) are included in the system
- Fertilizer kit and tank is not included in the system.
- Package: Wooden Crate

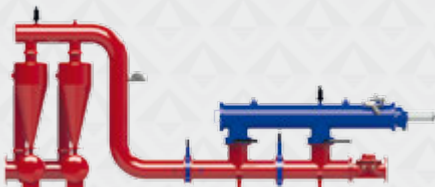
hydraulic controlled AutoFlush(horizontal)+hydrocyclone+PS+collector



Code	Connection Size (inch)	Hydrocyclone Quantity	Filtration Area (cm ²)	Capacity (m ³ /h)
HH-C-PS-4H-04100	4"	1x4"	4500	100
HH-C-PS-5H-05120	5"	1x5"	4500	120
HH-C-PS-6H-06160	6"	1x6"	4500	160
HH-C-PS-5H-08180	8"	2x5"	4500	180

- Grooved End Clamps, Hydrocyclone, Air Valves, Pressure Gauges, Ball Valves, Connection Equipments, Quick Pressure Relief Valve (QR) and Pressure Sustaining Valve (PS) are included in the system.
- Fertilizer kit and tank is not included in the system.
- Package: Wooden Crate

hydraulic controlled AutoFlush(horizontal)+hydrocyclone+PS+ By Pass collector

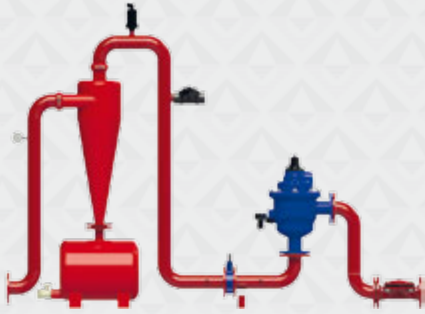


Code	Connection Size (inch)	Hydrocyclone Quantity	Filtration Area (cm ²)	Capacity (m ³ /h)
HH-C-B-PS-4H-04100	4"	1x4"	4500	100
HH-C-B-PS-5H-05120	5"	1x5"	4500	120
HH-C-B-PS-6H-06160	6"	1x6"	4500	160
HH-C-B-PS-5H-08180	8"	2x5"	4500	180

- Grooved End Clamps, Hydrocyclone, Air Valves, Pressure Gauges, Ball Valves, Connection Equipments, Quick Pressure Relief Valve (QR) and Pressure Sustaining Valve (PS) are included in the system.
- Fertilizer kit and tank is not included in the system.
- Package: Wooden Crate



electric activated AutoFlush(vertical)+hydrocyclone+PS+collector



Code	Connection Size (inch)	Hydrocyclone Quantity	Filtration Area (cm ²)	Capacity (m ³ /h)
VE-C-PS-2H-0225	2"	1x2"	500	25
VE-C-PS-3H-0340	3"	1x3"	500	40
VE-C-PS-3H-0350	3"	1x3"	1000	50
VE-C-PS-4H-0475	4"	1x3"	1000	75

- Grooved End Clamps, Hydrocyclone, Air Valves, Solenoid Valve, Pressure Gauges, Ball Valves, Connection Equipments, Quick Pressure Relief Valve (QR) and Pressure Sustaining Valve (PS) are included in the system.
- Fertilizer kit and tank is not included in the system.
- Package: Wooden Crate

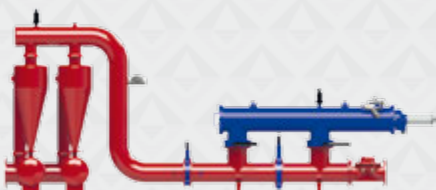
electric activated AutoFlush(horizontal)+hydrocyclone+PS+collector



Code	Connection Size (inch)	Hydrocyclone Quantity	Filtration Area (cm ²)	Capacity (m ³ /h)
HE-C-PS-4H-04100	4"	1x4"	4500	100
HE-C-PS-5H-05120	5"	1x5"	4500	120
HE-C-PS-6H-06160	6"	1x6"	4500	160
HE-C-PS-5H-08180	8"	1x8"	4500	180

- Grooved End Clamps, Hydrocyclone, Air Valves, Solenoid Valve, Pressure Gauges, Ball Valves, Connection Equipments, Quick Pressure Relief Valve (QR) and Pressure Sustaining Valve (PS) are included in the system.
- Fertilizer kit and tank is not included in the system.
- Package: Wooden Crate

electric activated AutoFlush(horizontal)+hydrocyclone+PS+ By Pass collector



Code	Connection Size (inch)	Hydrocyclone Quantity	Filtration Area (cm ²)	Capacity (m ³ /h)
HE-C-B-PS-4H-04100	4"	1x4"	4500	100
HE-C-B-PS-5H-05120	5"	1x5"	4500	120
HE-C-B-PS-6H-06160	6"	1x6"	4500	160
HE-C-B-PS-5H-08180	8"	1x8"	4500	180

- Grooved End Clamps, Hydrocyclone, Air Valves, Solenoid Valve, Pressure Gauges, Ball Valves, Connection Equipments, Quick Pressure Relief Valve (QR) and Pressure Sustaining Valve (PS) are included in the system.
- Fertilizer kit and tank is not included in the system.
- Package: Wooden Crate